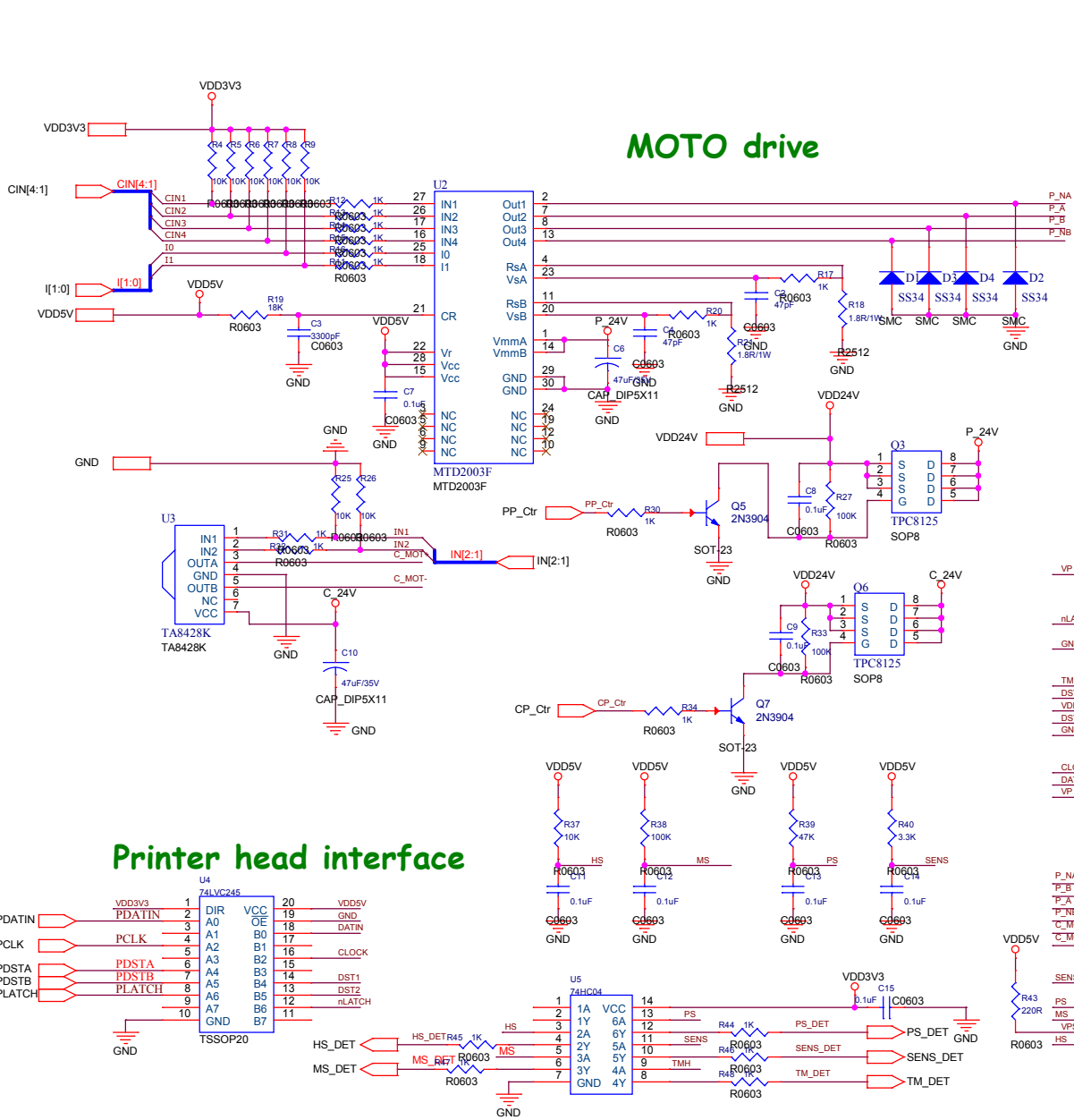
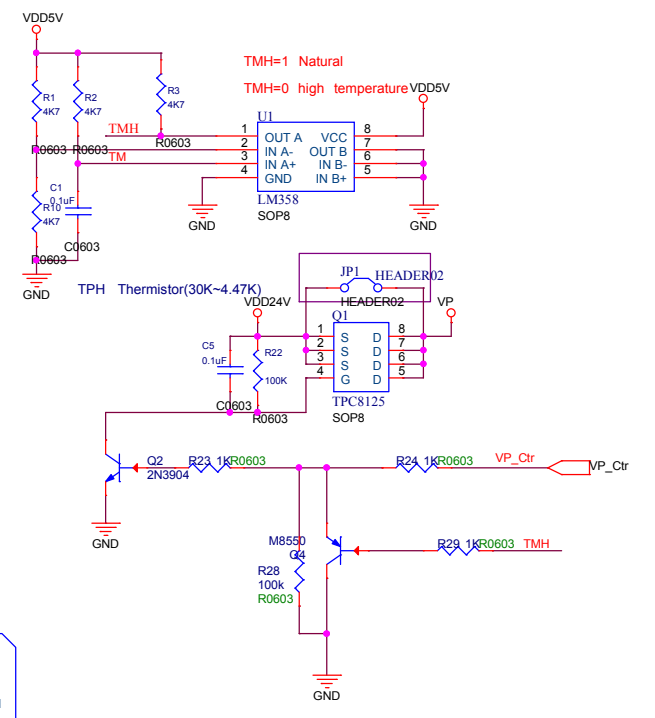
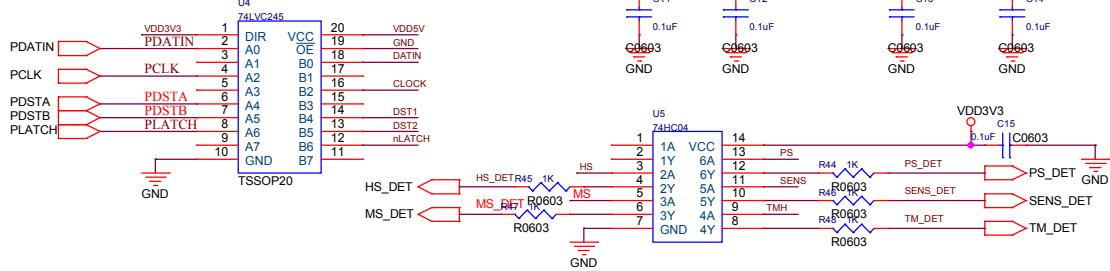


Title		
NUC505 80MM MICRO PRINTER DEMO		
Size	Document Number	Rev
A	MAIN BLOCK	1.0
Date:	Monday, January 05, 2015	Sheet 1 of 6

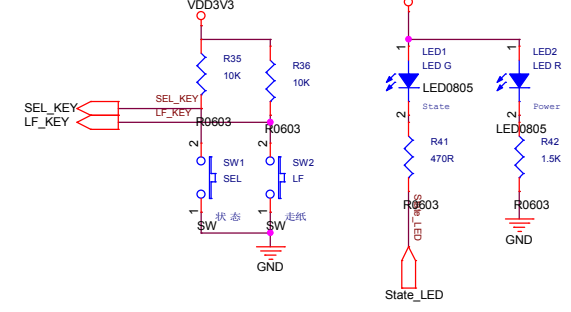
MOTO drive



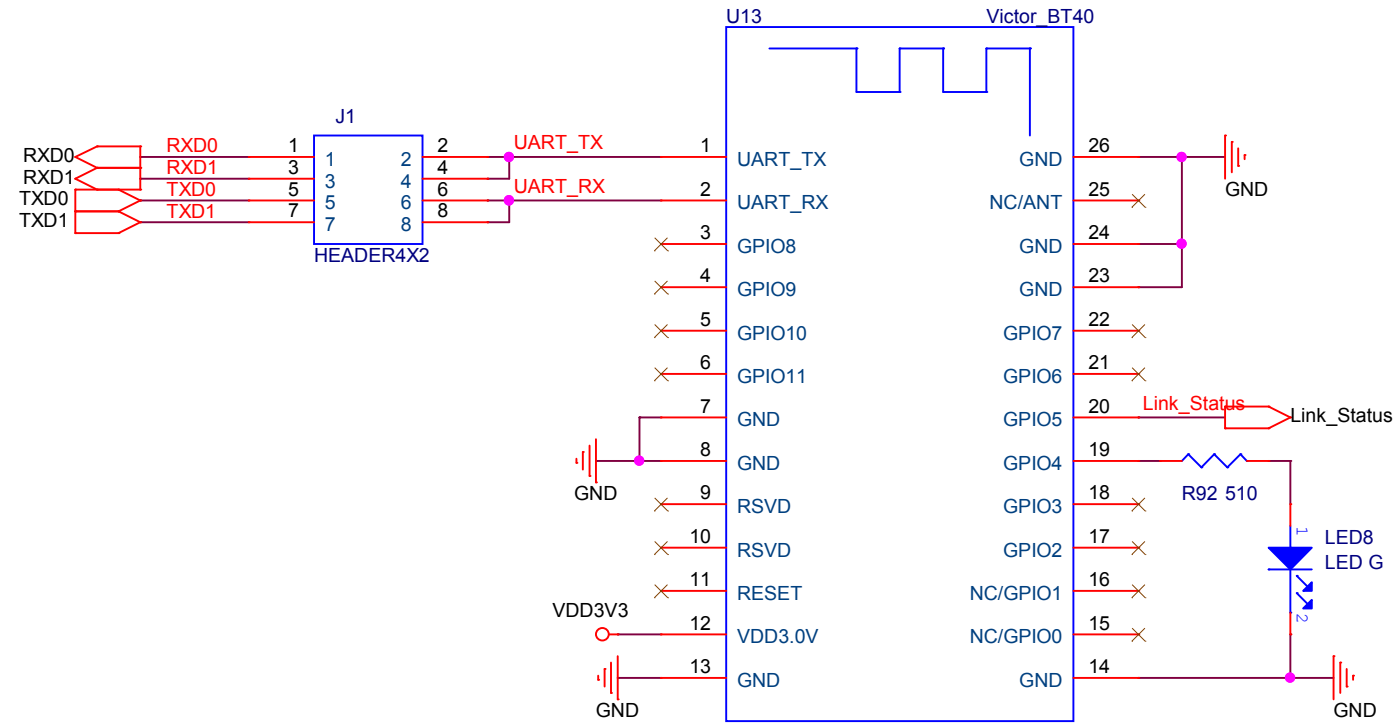
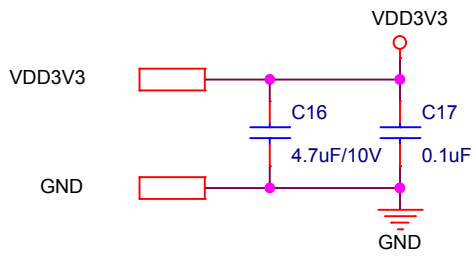
Printer head interface



LED&KEY

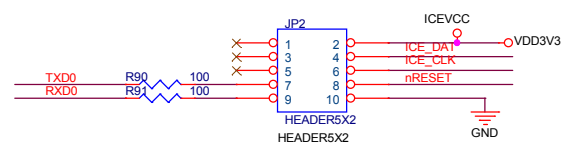
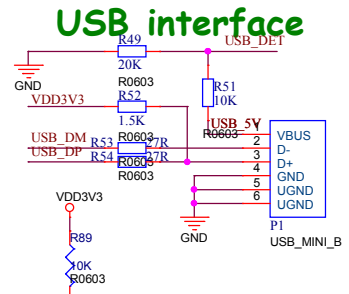
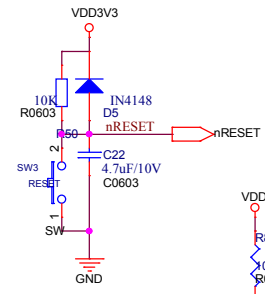
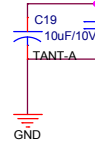
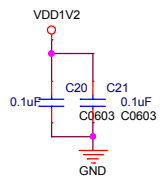


Title		
NUC505 80MM MICRO PRINTER DEMO		
Size	Document Number	Rev
B	80MM PRINTER	1.0
Date:	Monday, January 05, 2015	Sheet 2 of 6



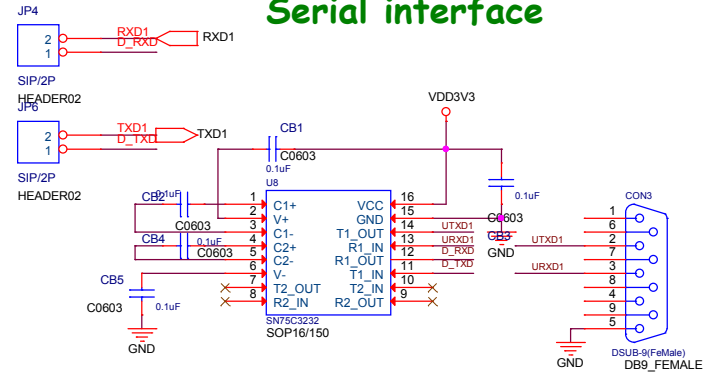
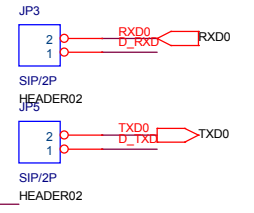
nuvoTon

Title		
NUC505 80MM MICRO PRINTER DEMO		
Size	Document Number	Rev
A	BLUE TOOTH MODULE	1.0
Date:	Monday, January 05, 2015	Sheet 3 of 6

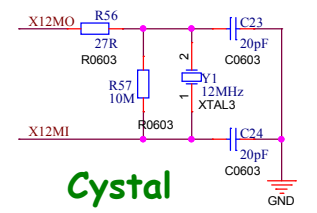
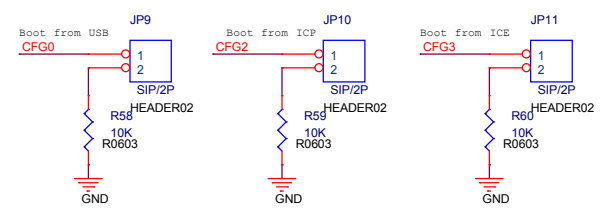


ICE interface

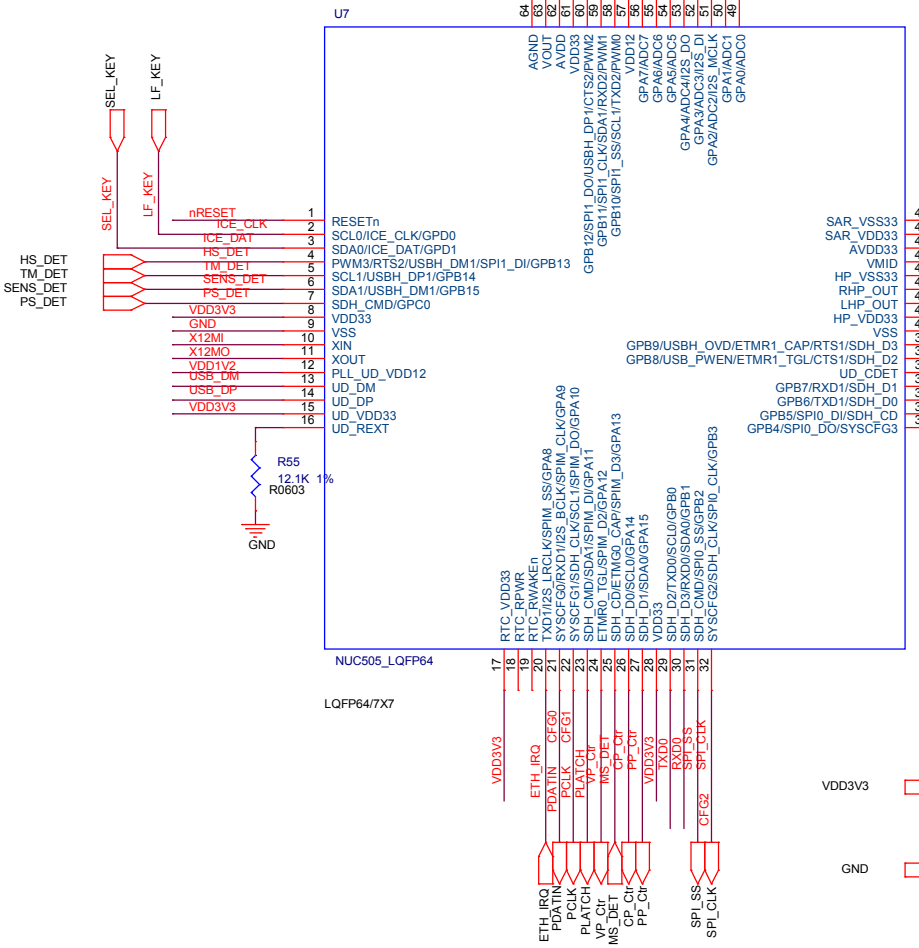
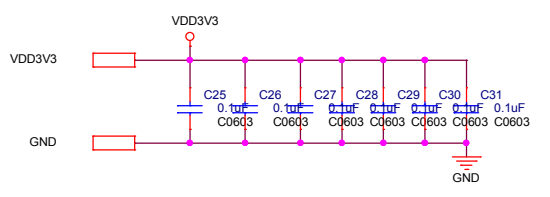
Serial interface



POWER ON SETTING



Crystal



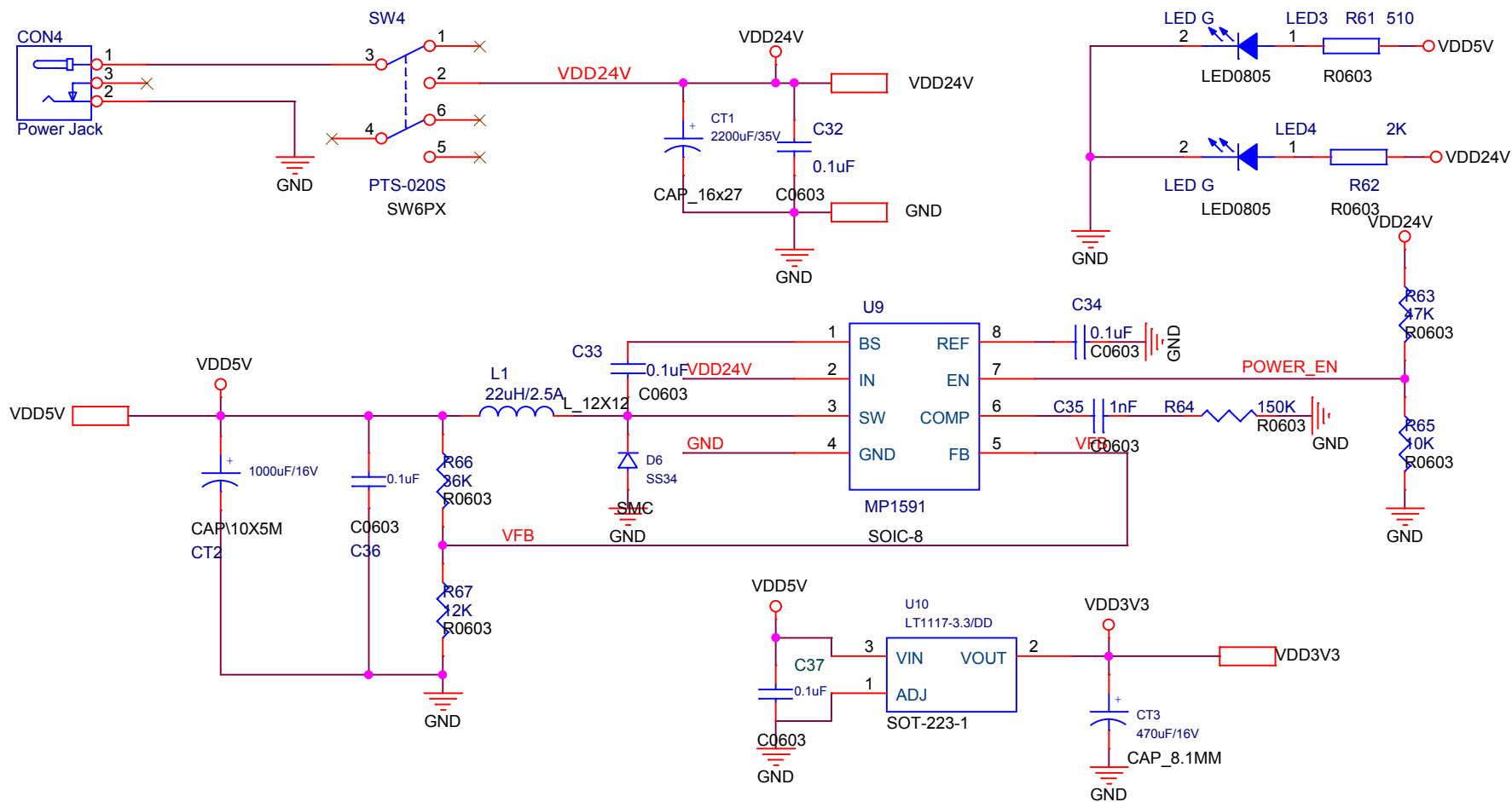
nuvoton

Title NUC505 80MM MICRO PRINTER DEMO

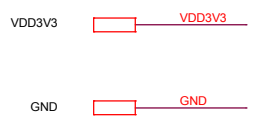
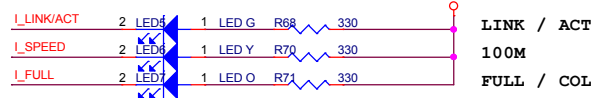
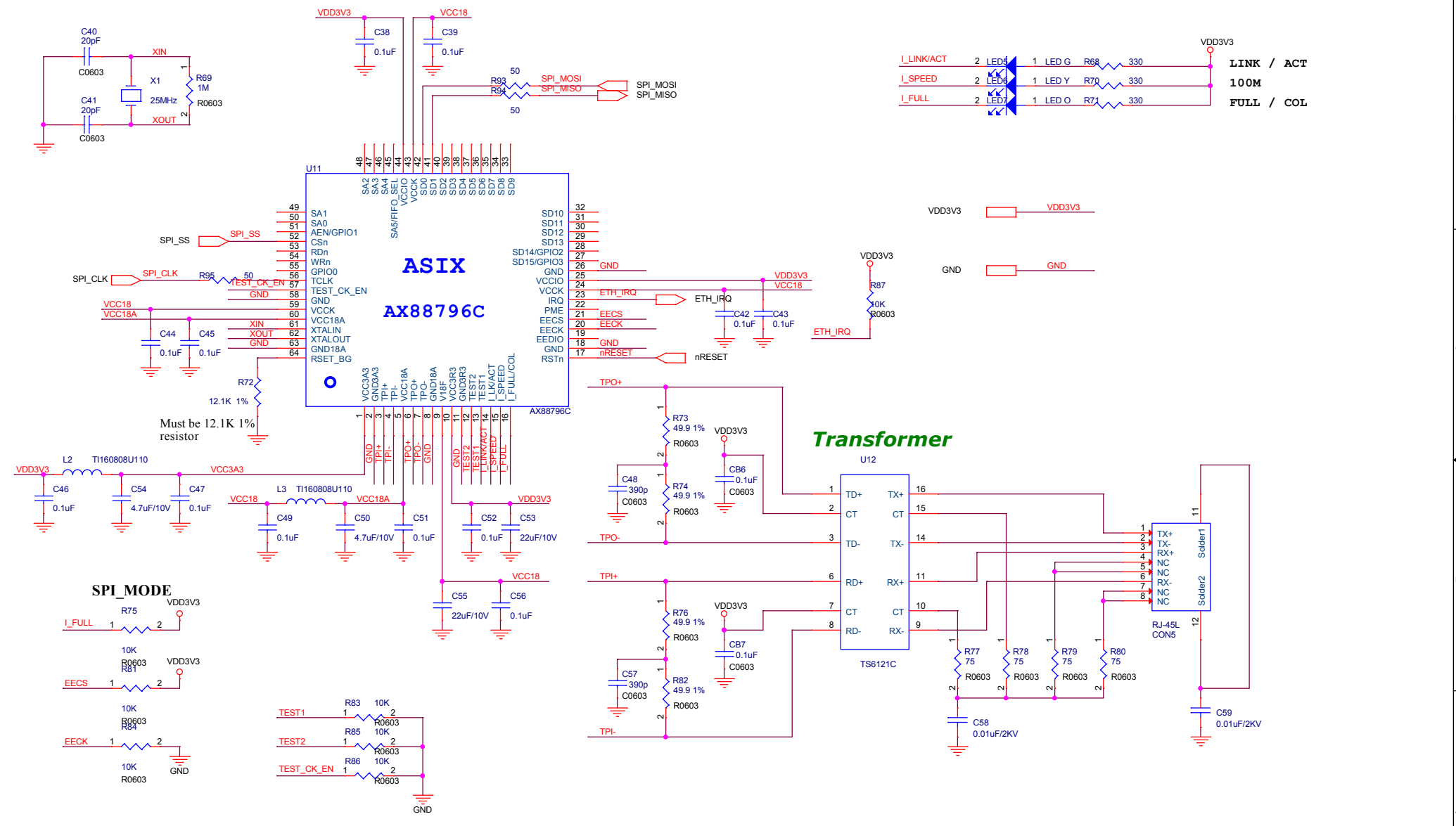
Size B	Document Number NUC505	Rev 1.0
Date: Monday, January 05, 2015		Sheet 4 of 6

POWER SYSTEM

DC 24V IN 2A



Title		
NUC505 80MM MICRO PRINTER DEMO		
Size	Document Number	Rev
A	POWER	1.0
Date:	Monday, January 05, 2015	Sheet 5 of 6



Transformer

Title		<Title>	
Size	Document	Number	Rev
B	<Doc>		<RevCode>
Date:	Monday, January 05, 2015	Sheet	6 of 6