

## Single N-channel MOSFET

# FK4B01100L Datasheet

*The information described in this document is the exclusive intellectual property of Nuvoton Technology Corporation Japan and shall not be reproduced without permission from Nuvoton.*

*Nuvoton is providing document only for reference purposes of FK4B01100L based system design.*

*Nuvoton assumes no responsibility for errors or omissions.  
All data and specifications are subject to change without notice.*

For additional information or question, please contact Nuvoton Technology Corporation Japan.

[www.nuvoton.co.jp](http://www.nuvoton.co.jp)



**1. GENERAL DESCRIPTION**

Single N-channel MOSFET for load switching circuits.

**2. FEATURES**

- Low Drain-source ON Resistance:  $R_{DS(on)}$  typ = 27 mΩ (VGS = 2.5 V)
- CSP (Chip Size Package)
- RoHS compliant (EU RoHS / MSL: Level 1)

**3. MARKING SYMBOL: 1A**

**4. PACKAGING**

Embossed type (Thermo-compression sealing): 20,000 pcs / reel (standard)

**5. ABSOLUTE MAXIMUM RATINGS  $T_a = 25\text{ }^\circ\text{C}$**

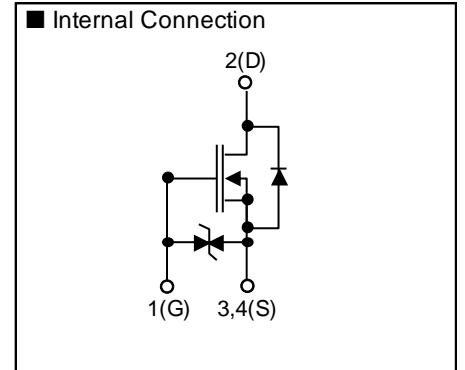
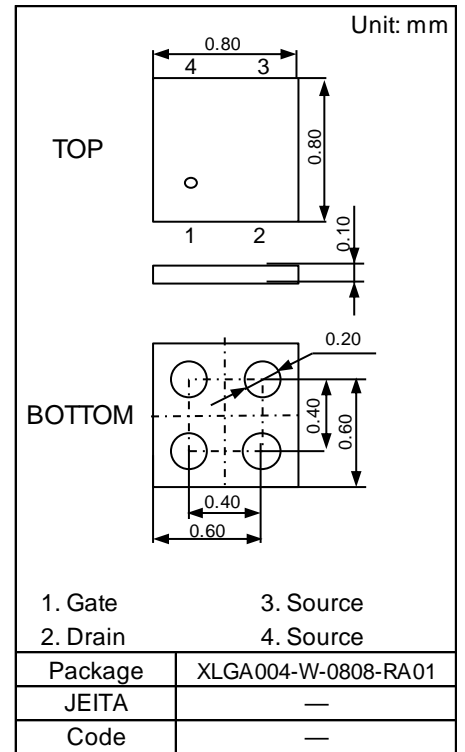
Parameter	Symbol	Rating	Unit
Drain-Source Voltage	VDS	12	V
Gate-Source Voltage	VGS	±8	V
Drain Current	ID1 <sup>*1</sup>	3.4	A
	ID2 <sup>*2</sup>	5.2	
	ID3 <sup>*3</sup>	6.5	
Peak Drain Current	IDp1 <sup>*1*4</sup>	27	A
	IDp2 <sup>*2*4</sup>	41	
	IDp3 <sup>*3*4</sup>	52	
Power Dissipation	PD1 <sup>*1</sup>	0.36	W
	PD2 <sup>*2</sup>	0.82	
	PD3 <sup>*3</sup>	1.30	
Channel Temperature	Tch	150	°C
Operating Ambient Temperature	Topr	-40 to +85	°C
Storage Temperature	Tstg	-55 to +150	°C

Note \*1 FR4 board (25.4mm × 25.4mm × t1.0mm)、Min Cu 36mm<sup>2</sup> Copper.

\*2 FR4 board (25.4mm × 25.4mm × t1.0mm)、Full Cu.

\*3 Ceramic substrate (70mm × 70mm × t1.0mm).

\*4 t = 10 μs, Duty Cycle < 1 %.



6. ELECTRICAL CHARACTERISTICS Ta = 25 °C ± 3 °C

Parameter	Symbol	Conditions	Min	Typ	Max	Unit
Drain-Source Breakdown Voltage	VDSS	ID = 1 mA, VGS = 0 V	12			V
Zero Gate Voltage Drain Current	IDSS	VDS = 12 V, VGS = 0 V			10	μA
Gate-Source Leakage Current	IGSS	VGS = ±8 V, VDS = 0 V			±10	μA
Gate Threshold Voltage	Vth	ID = 236 μA, VDS = 10 V	0.3		1.0	V
Drain-Source ON Resistance	RDS(on)	ID = 1.5 A, VGS = 4.5 V		22	30	mΩ
		ID = 1.0 A, VGS = 2.5 V		27	40	
		ID = 0.5 A, VGS = 1.8 V		33	56	
		ID = 0.25 A, VGS = 1.5 V		43	99	
Input Capacitance *1	Ciss	VDS = 10 V VGS = 0 V f = 1MHz		275		pF
Output Capacitance *1	Coss			100		
Reverse Transfer Capacitance *1	Crss			70		
Turn-on Delay Time *1,*2	td(on)	VDD = 6 V VGS = 0 to 4.5 V ID=1.0 A		7		ns
Rise Time *1,*2	tr			14		
Turn-off Delay Time *1,*2	td(off)			165		
Fall Time *1,*2	tf			76		
Total Gate Charge *1	Qg	VDD = 6 V VGS = 4.5 V IS= 1.0 A		5.8		nC
Gate to Source Charge *1	Qgs			0.75		
Gate to Drain Miller Charge *1	Qgd			0.95		
Body Diode Forward Voltage	VF(D-S)	IF = 0.2A, VGS = 0V		0.6	1.2	V

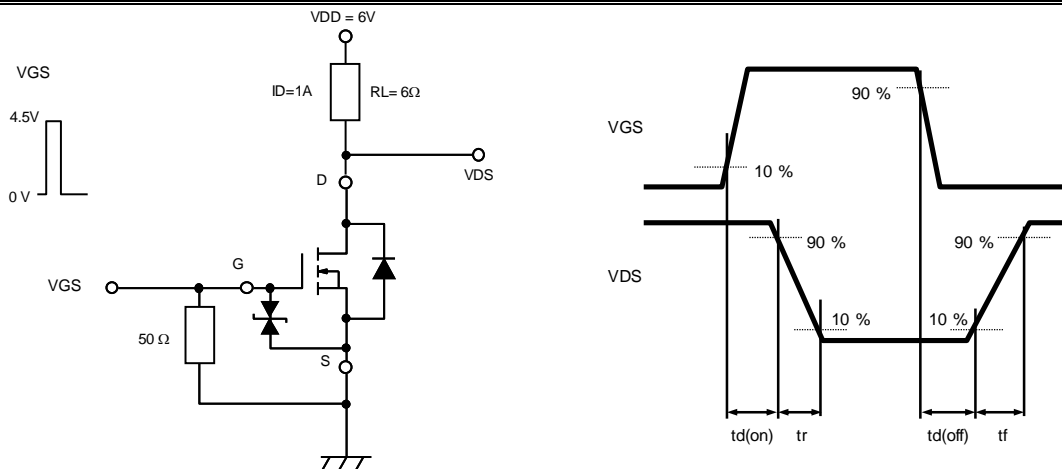
Note Measuring methods are based on JAPANESE INDUSTRIAL STANDARD JIS C 7030 Measuring methods for transistors.

\*1 Guaranteed by design, not subject to production testing.

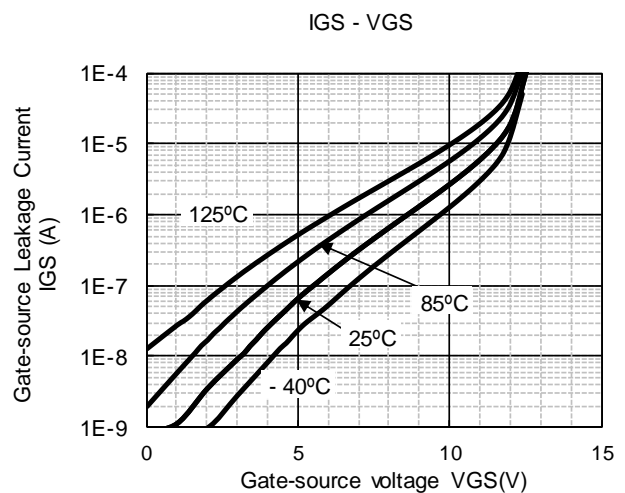
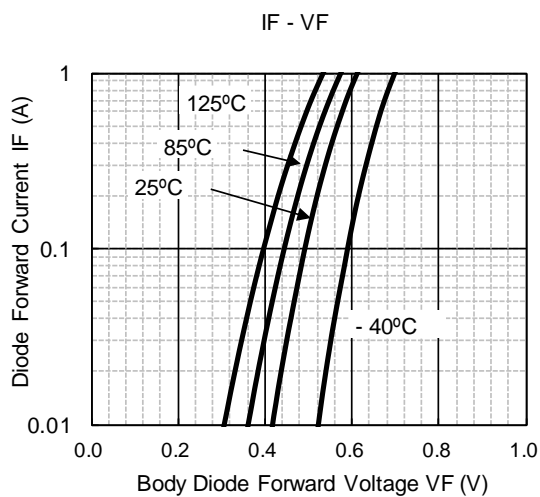
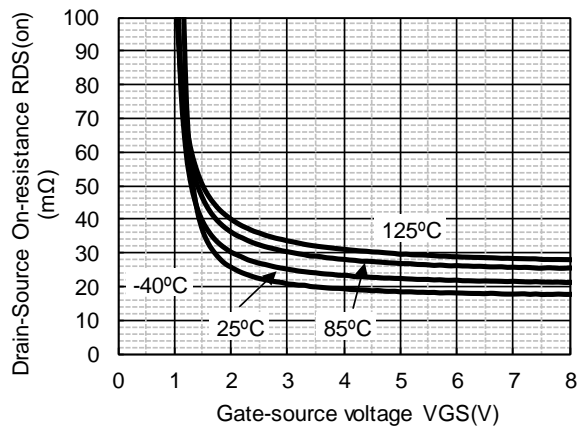
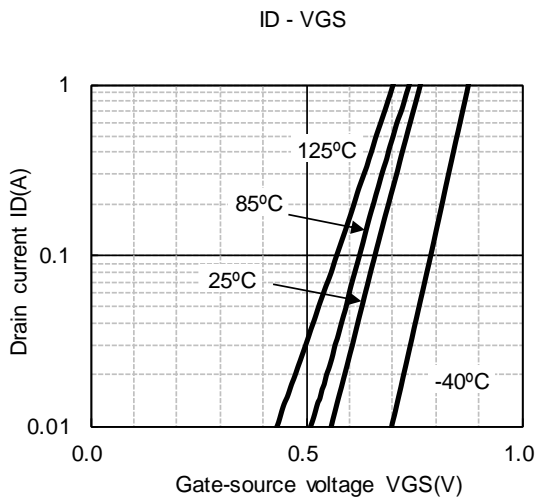
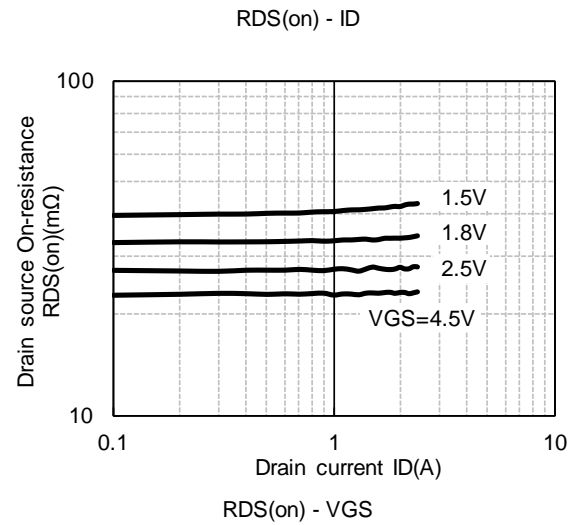
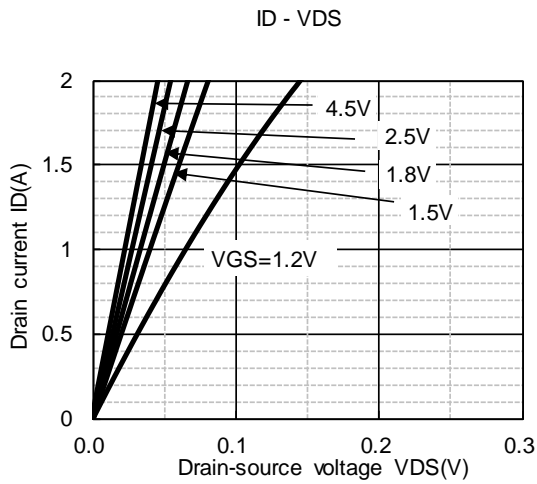
\*2 Measurement circuit for Turn-on Delay Time / Rise Time / Turn-off Delay Time / Fall Time.

7. ELECTRICAL STATE DISCHARGE CHARACTERISTICS

Standard	Test Type	Symbol	Conditions	Class	Value	Unit
AEC-Q101-001	Human body model	HBM	C = 100 pF, R = 1.5 kΩ	H1C	> 1k to ≤ 2k	V
	Machine model	MM	C = 200 pF, R = 0 Ω	M2	> 100 to ≤ 200	V

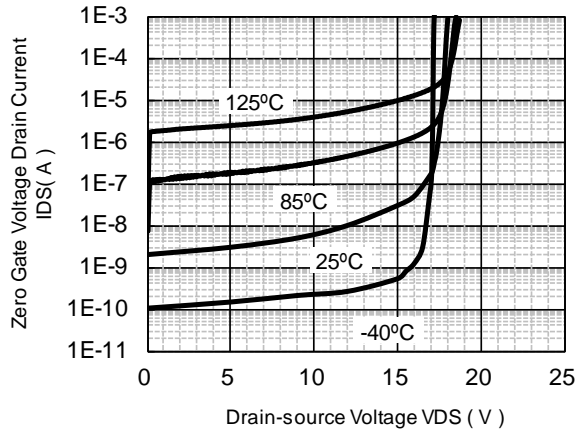


8. TECHNICAL DATA (Reference)

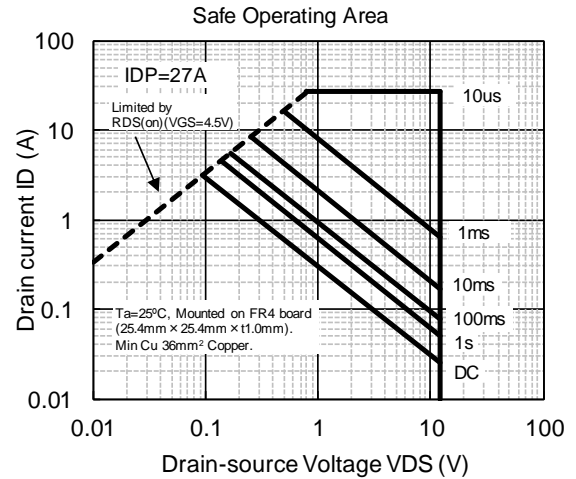
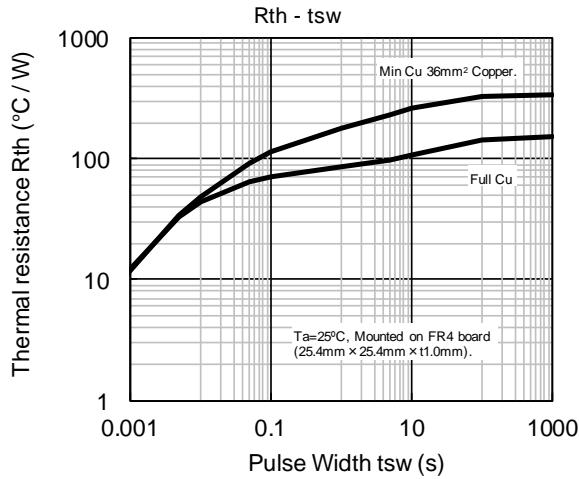
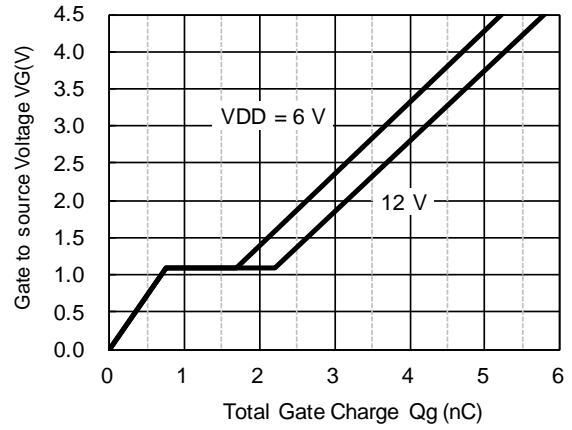


TECHNICAL DATA (Reference)

IDS - VDS

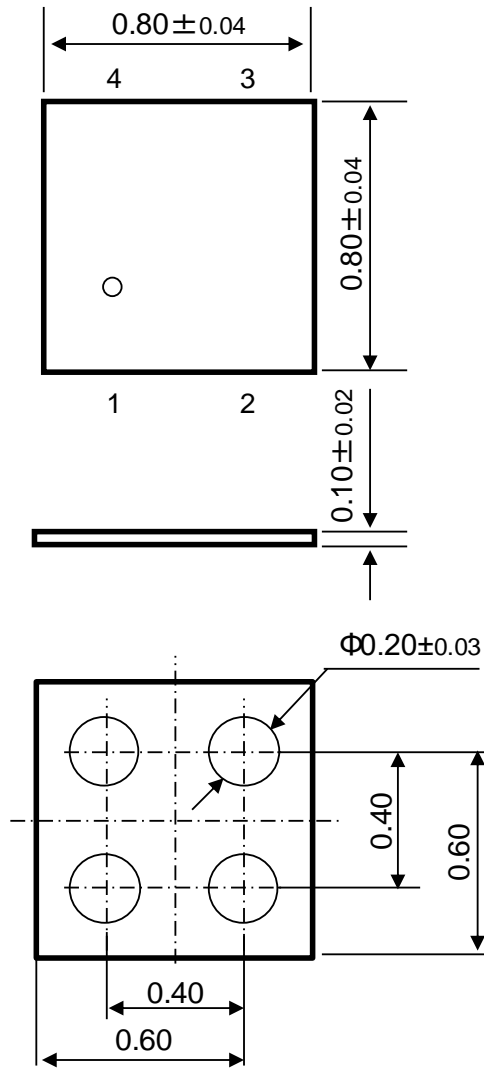


Dynamic Input/Output Characteristics



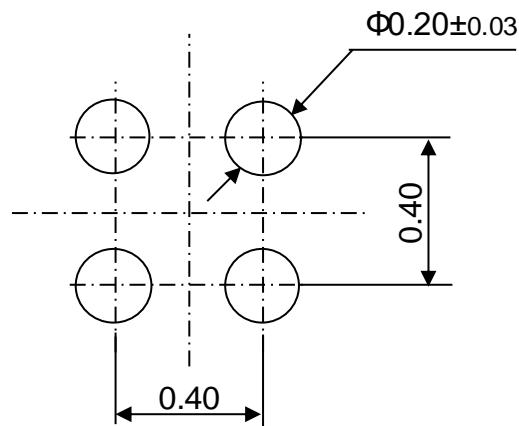
9. OUTLINE

Unit: mm



10. LAND PATTERN (Reference)

Unit: mm



Important notice:

Solder Mask Defined (SMD) pattern is strongly recommended for pad design.  
Please check the information in the Nuvoton WL-CSP Application Notes about mounting process.

**11. REVISION HISTORY**

Date	Revision	Description
2021.02.05	1.00	1. Initially issued.
2021.08.31	1.01	1. Added important notice in Land Pattern. 2. Added special attention and precautions notes.
2021.11.11	1.02	1. Changed document name from Product Standards to Datasheet.



## Request for your special attention and precautions in using the technical information and semiconductors described in this book

(1) If any of the products or technical information described in this book is to be exported or provided to non-residents, the laws and regulations of the exporting country, especially, those with regard to security export control, must be observed.

(2) The technical information described in this book is intended only to show the main characteristics and application circuit examples of the products. No license is granted in and to any intellectual property right or other right owned by Nuvoton Technology Corporation Japan or any other company. Therefore, no responsibility is assumed by our company as to the infringement upon any such right owned by any other company which may arise as a result of the use of technical information described in this book.

(3) The products described in this book are intended to be used for general applications (such as office equipment, communications equipment, measuring instruments and household appliances), or for specific applications as expressly stated in this book.

It is to be understood that our company shall not be held responsible for any damage caused as a result of the following special applications: Special applications (such as for automotive, airplanes, aerospace, transport equipment, traffic signaling equipment, combustion equipment, medical equipment and safety devices) in which exceptional quality and reliability are required, or if the failure or malfunction of the products may directly jeopardize life or harm the human body.

It is to be understood that our company shall not be held responsible for any damage incurred as a result of or in connection with your using the products described in this book for any special application, unless our company agrees to your using the products in this book for any special application.

(4) When designing your equipment, comply with the range of absolute maximum rating and the guaranteed operating conditions (operating power supply voltage and operating environment etc.). Especially, please be careful not to exceed the range of absolute maximum rating on the transient state, such as power-on, power-off and mode-switching. Other-wise, we will not be liable for any defect which may arise later in your equipment. Please pay attention about moisture proof because the product is unmolded device. It is not special consideration to use in environmental which is high temperature or high humidity where dew condensation may occur. Any use and storage under the circumstance may affect the performance of the product. Prior confirmation of performance and reliability is requested to customers.

Even when the products are used within the guaranteed values, take into the consideration of incidence of break down and failure mode, possible to occur to semiconductor products. Measures on the systems such as redundant design, arresting the spread of fire or preventing glitch are recommended in order to prevent physical injury, fire, social damages, for example, by using the products.

(5) Please pay attention about breakdown and characteristics change due to external factors (ESD, EOS, thermal stress and mechanical stress, touching the product with bare hands) at the time of handling, mounting or at customer's process. We do not guarantee quality for disassembled products or the product re-mounted after removing from the mounting board. When using products for which damp-proof packing is required, satisfy the conditions, such as shelf life and the elapsed time since first opening the packages.

(6) When reselling products described in this book to other companies without our permission and receiving any claim of request from the resale destination, please understand that customers will bear the burden.

(7) This book may be not reprinted or reproduced whether wholly or partially, without the prior written permission of our company.

### Important Notice

Nuvoton Products are neither intended nor warranted for usage in systems or equipment, any malfunction or failure of which may cause loss of human life, bodily injury or severe property damage. Such applications are deemed, "Insecure Usage".

Insecure usage includes, but is not limited to: equipment for surgical implementation, atomic energy control instruments, airplane or spaceship instruments, the control or operation of dynamic, brake or safety systems designed for vehicular use, traffic signal instruments, all types of safety devices, and other applications intended to support or sustain life.

All Insecure Usage shall be made at customer's risk, and in the event that third parties lay claims to Nuvoton as a result of customer's Insecure Usage, customer shall indemnify the damages and liabilities thus incurred by Nuvoton.

---

*Please note that all data and specifications are subject to change without notice.  
All the trademarks of products and companies mentioned in this datasheet belong to their respective owners.*